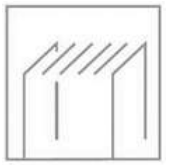


User manual / Assembly instructions Deponi Louvered Pergola Type Manual Pinela 3x4

Version: EN – November 2022



www.glassgardenroom.co.uk

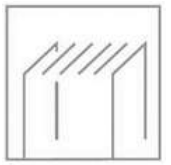


Contents

1. Introduction	
2. Safety precautions and warnings	3 3
3. Product description	5 6
4. Parts overview	6 9
	10
4.1 Part list	10
4.2 Delivery Inspection	11
5. Preparation for assembly	12
5.1 Conditions for assembly	27
5.2 Inspection of tools and accessories	27
6. Assembly	27
7. Maintenance	27
8. Disposal of waste	
9. Warranty conditions	
10. Contact	

KEEP THIS MANUAL IN A SAFE PLACE FOR FUTURE USE!

For the duration and the terms and conditions of the warranty we recommend that you contact your supplier. We also refer you to our General Terms and Conditions of Sale and Delivery which are available on request. Deponti B.V. accepts no liability for any damage or injury resulting from a failure to carefully follow the instructions in this manual or exercise due caution during transport, assembly, use and maintenance of the pergola. As a result of our policy of continuous product improvement, certain product details may differ from what is described in this manual. For this reason the instructions provided only serve as a guideline for installation of the product this manual describes. This manual has been compiled with the utmost care, but Deponti B.V. cannot be held responsible for any errors in this manual or the consequences thereof. Furthermore, all rights are reserved and no part of this manual may be reproduced in any way whatsoever.



1. Introduction

Congratulations on the purchase of your Deponti pergola!

Before you can start enjoying your pergola it must be assembled properly. This manual provides clear instructions for all the steps you must complete for correct assembly of your Deponti pergola. We recommend that you take the time to read the entire manual before you begin the assembly. Check whether you have received all the necessary parts before you begin assembly. For your safety, follow all the applicable instructions. This also guarantees the safety of the installed roof. If you should have any questions, please feel free to contact your Deponti partner.



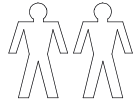
This manual should be kept in a safe, dry and shady place. In the event of damage or loss, the user must request a new copy of the manual from the dealer.

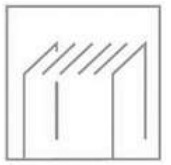
2. Safety precautions and warnings



Important:

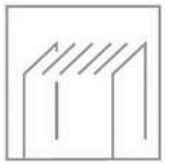
Please read the safety precautions and warnings before assembling the pergola.

- During assembly, carefully follow the instructions and guidelines as described in this manual. Never change the order of the steps to be performed. If any aspect of the assembly procedure is unclear, please contact your Deponti partner. We reserve the right to make technical changes without written notice.
- We normally recommend that the pergola must be assembled by at least two people (qualified technicians/authorized installers) working together. 
- Check the delivery immediately upon receipt. In the event of damage or an incomplete delivery please contact your partner immediately.
- The materials must be stored in a dry, ventilated area, not exposed to direct sunlight.
- Open the packaging carefully. Make sure that you do not damage the product.
- To prevent damage to your pergola, place the parts on a smooth, clean surface. Place the profiles on a flat surface, protected from sun and rain.



2. Safety precautions and warnings (continued)

- Adding or removing parts, the use or installation of materials other than described in this manual, may adversely affect the safety of the pergola and is therefore strongly discouraged!
- Pay attention and be aware of moving parts.
- Cordon off the assembly location so that others are kept at a distance.
- Always wear the correct protective clothing (work gloves, dust mask, safety glasses, shoes with non-slip soles, etc.) during installation or servicing.
- Mount the system against a firm, flat wall and on a flat and stable foundation. Ensure that the wall and the ground are clean and dry.
- **Never** step or walk on the panel system.
- You must maintain and clean your pergola at least once a year. During this yearly maintenance make sure all fasteners are properly tightened.
- Dispose the product in accordance with local laws and regulations.
- It is forbidden to tamper with the bioclimatic pergola system.
- When safety regulations and instructions are not followed correctly, Deponti B.V. will not accept responsibility for damage(s) and injuries.

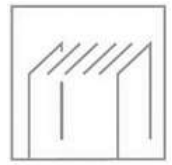


3. Product description

The Manual Pinela roof is a bioclimatic pergola system which is a rotatable panel system. The Manual Pinela panels can rotate 120° degree. Also it protects from sun, rain and limited snow loads.

The Pinela is available in the following dimensions;

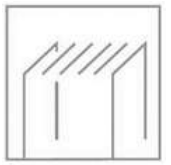
- 3x3x2,5m
- 3x4x2,5m


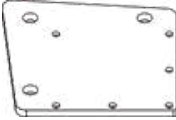

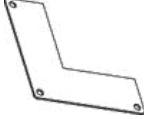




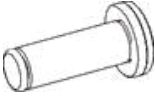



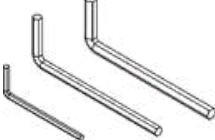


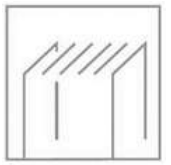
4. Parts Overview









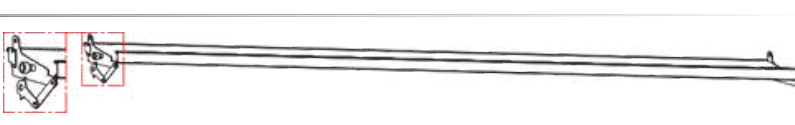
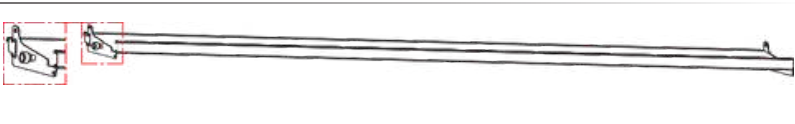
4.1 Partlist

	PIECES CODE	PRODUCT NAME	QTY.	
BOX-1/5 PILLAR	A1	PILLAR PROFILE (IMPERFORETE)	3 Pcs	
	A2	PILLAR PROFILE (PERFORETED)	1 Pcs	
	ACCESSORY BOX	B1	PILLAR PLATE MAGNETIC CRANK	4 Pcs
		E3	HOLDER PILLAR COVER BOLT	1 Pcs
		J1	M6x50 RUBBER CLOSURE BOLT	4 Pcs
		P1	M4x12 BOLT M6x20 LOUVER JOINT	24 Pcs
		P3	SHAFT RETAINING RING JOINT	8 Pcs
		P5	WASHER SPARE PARTS PACKAGE	4 Pcs
		P8	INSTALLATION MANUAL	32 Pcs
		P11	ASSEMBLY EQUIPMENT	42 Pcs
		P14		42 Pcs
		P17		84 Pcs
		P20		1 Pcs
		P21		1 Pcs
		P22		1 Pcs
BOX-2/5 GUTTER		C5	GUTTER PROFILE (BACK)	1 Pcs
	C6	GUTTER PROFILE (FRONT)	1 Pcs	
	C3	GUTTER PROFILE (LEFT)	1 Pcs	
	C4	GUTTER PROFILE (RIGHT)	1 Pcs	
	E1	UNIVERSAL DRIVE SHAFT	1 Pcs	
	E2	CRANK ARM	1 Pcs	
	F2	GUTTER SIDE COVER	2 Pcs	
	G2	JOINT PROFILE	2 Pcs	
	K1	GUTTER BACK COVER	1 Pcs	
BOX-3/5 LOUVER	D1	LOUVER PROFILE (ARTICULATED)	1 Pcs	
	D3	LOUVER PROFILE	6 Pcs	
BOX-4/5 LOUVER	D3	LOUVER PROFILE	7 Pcs	
BOX-5/5 LOUVER	D3	LOUVER PROFILE	7 Pcs	

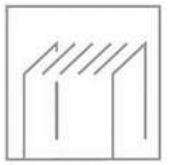


CODE	PICTURE				QTY
A2					1 Pcs
CODE	PICTURE	QTY	CODE	PICTURE	QTY
B1		4 Pcs	E3		1 Pcs
J1		4 Pcs	P1	 M6x50	24 Pcs
P3		8 Pcs	P5	 M4x12	4 Pcs
P8	 M6x20	32 Pcs	P11		42 Pcs
P14		42 Pcs	P17		84 Pcs
P21	 Installation Manual	1 Pcs	P22		1 Pcs



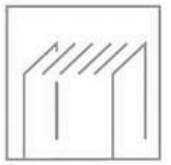
CODE	PICTURE	QTY
C6		1 Pcs
C3		1 Pcs
C4		1 Pcs
E1		1 Pcs
E2		1 Pcs
F2		2 Pcs
G2		2 Pcs
K1		1 Pcs
D1		1 Pcs
D3		20 Pcs

BOX 4/5-5/5
BOX-3/5



4.2 Delivery Inspection

Always carefully check the delivered items against the accompanying delivery note to ensure that the quantity and quality are correct. Any visible defects must be reported in writing within 7 days of delivery.



5. Preparation for assembly

5.1 Conditions for assembly

Ground & façade

- A good flat stable surface is required for construction of the pergola. The location where the system is placed must be construction-ready and free of obstacles (garden furniture, flower boxes, etc.) so installers can perform their work without hindrance. Any obstacles, including utility lines (such as power cables, etc.), roots and debris, must have
- been removed from the ground.

The façade must be free of sun shades, etc.

The area where the wall profile will be placed must be firm, even and flat.

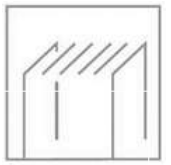
Installation between walls

- Due to expansion of the materials, the pergola may not be placed too tightly between two walls; there must be a gap of 1.5 mm per metre of width of the pergola.

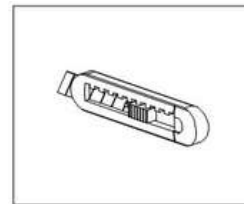
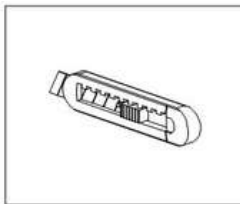
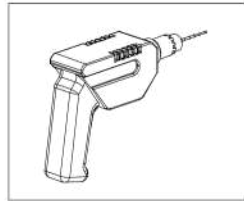
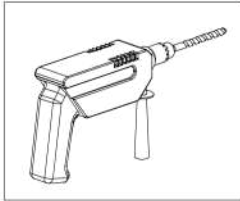
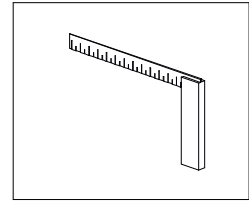
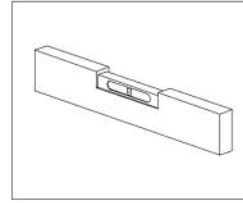
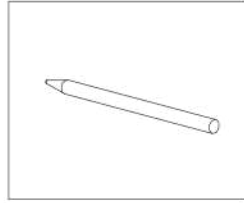
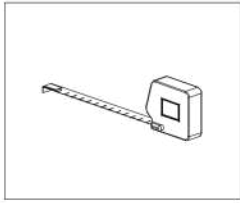
Rubber seals

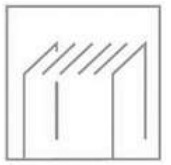
- A Deponti pergola is standard equipped with pre-assembled rubber seals.
- If the rubber seals are deformed, they can be straightened with a little heat, from a hot air heater or hair dryer for example.

Warranty is void if the Manual Pinela pergola is not assembled and installed in accordance with the instructions.



5.2 Inspection of tools and accessories

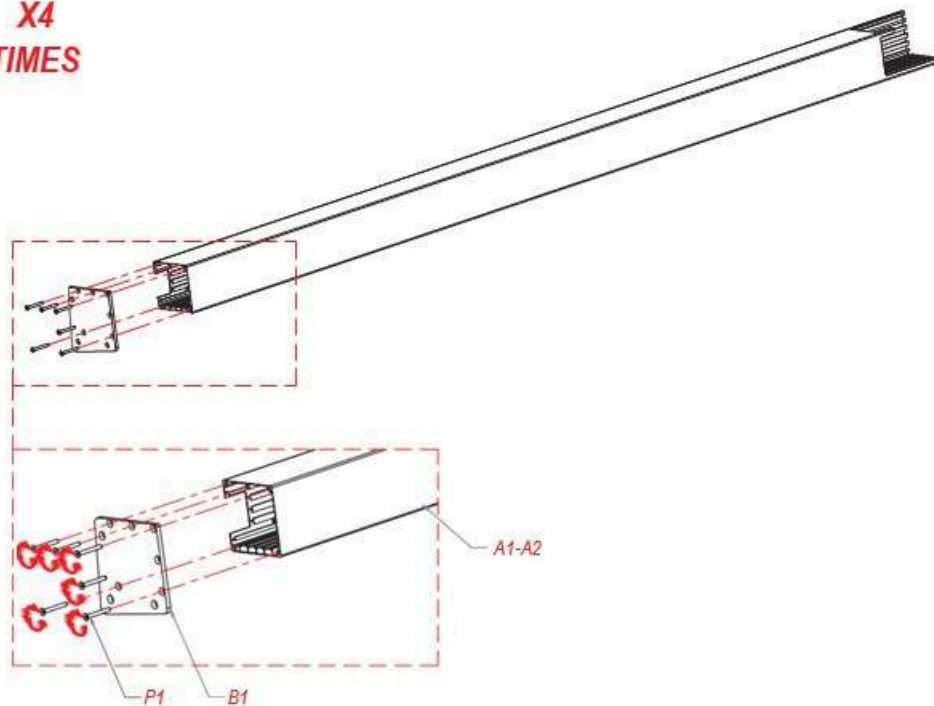




6. Assembly

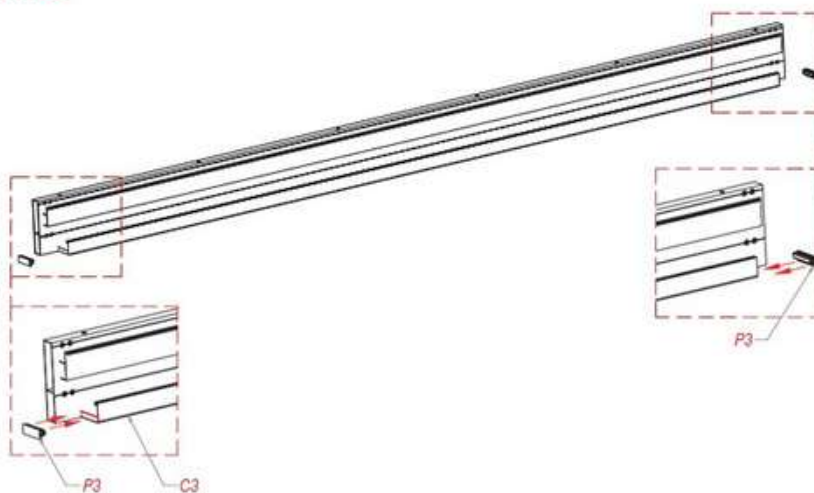
1. All mounting bolts should be placed on the column by hand and then tightened with an allen key. Repeat this step for all 4 columns.

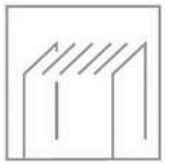
**X4
TIMES**



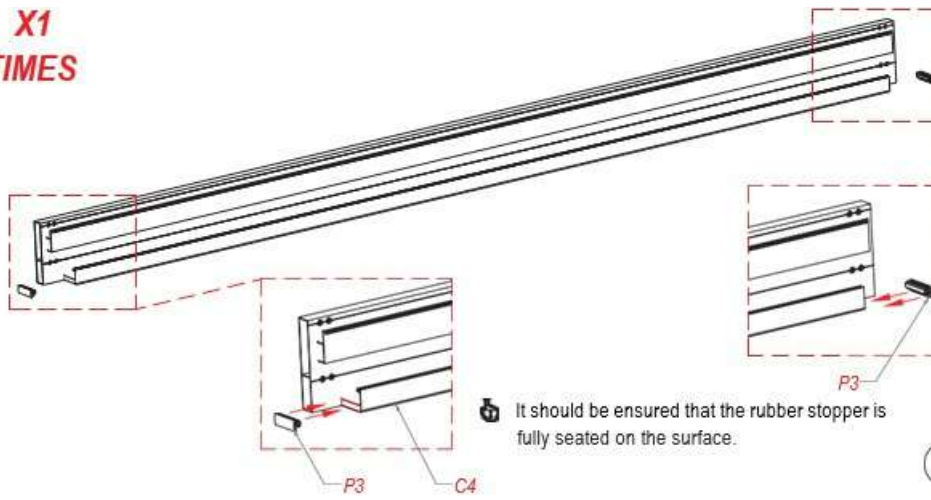
2. Take part C1, C2, C3 and C4 and add the rubbers to it. It should be ensured that the rubber stopper is fully seated on the surface.

**X1
TIMES**

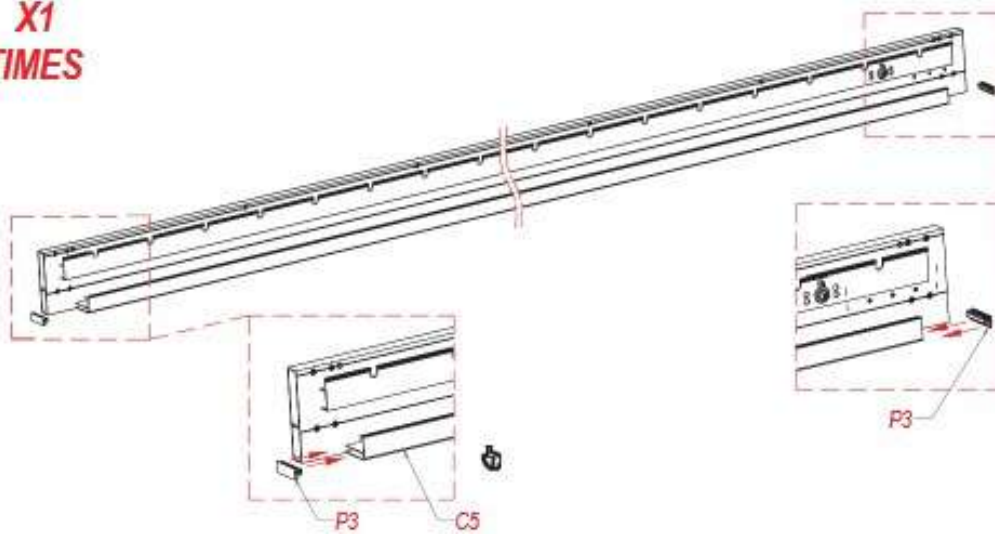




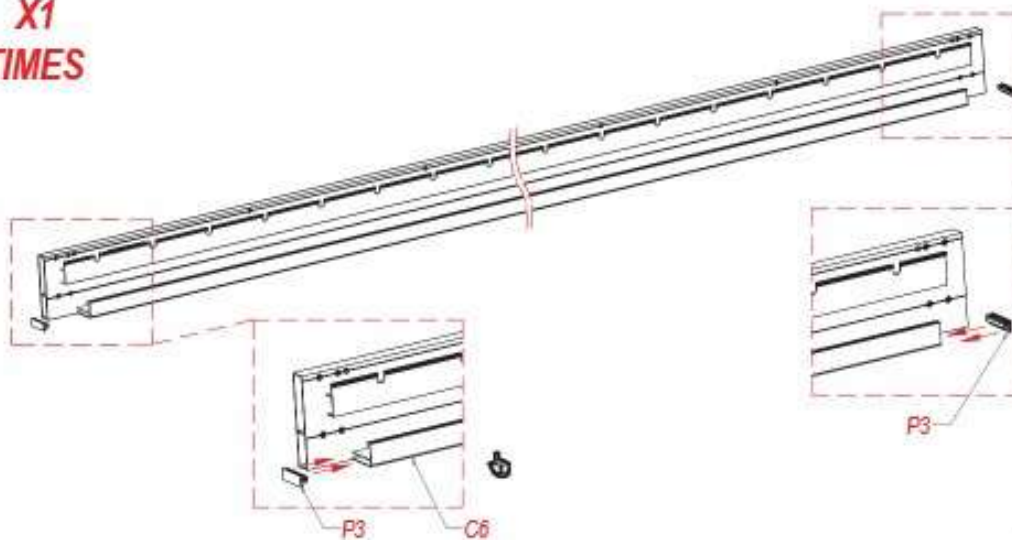
**X1
TIMES**

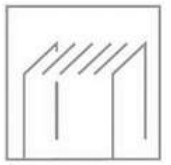


**X1
TIMES**



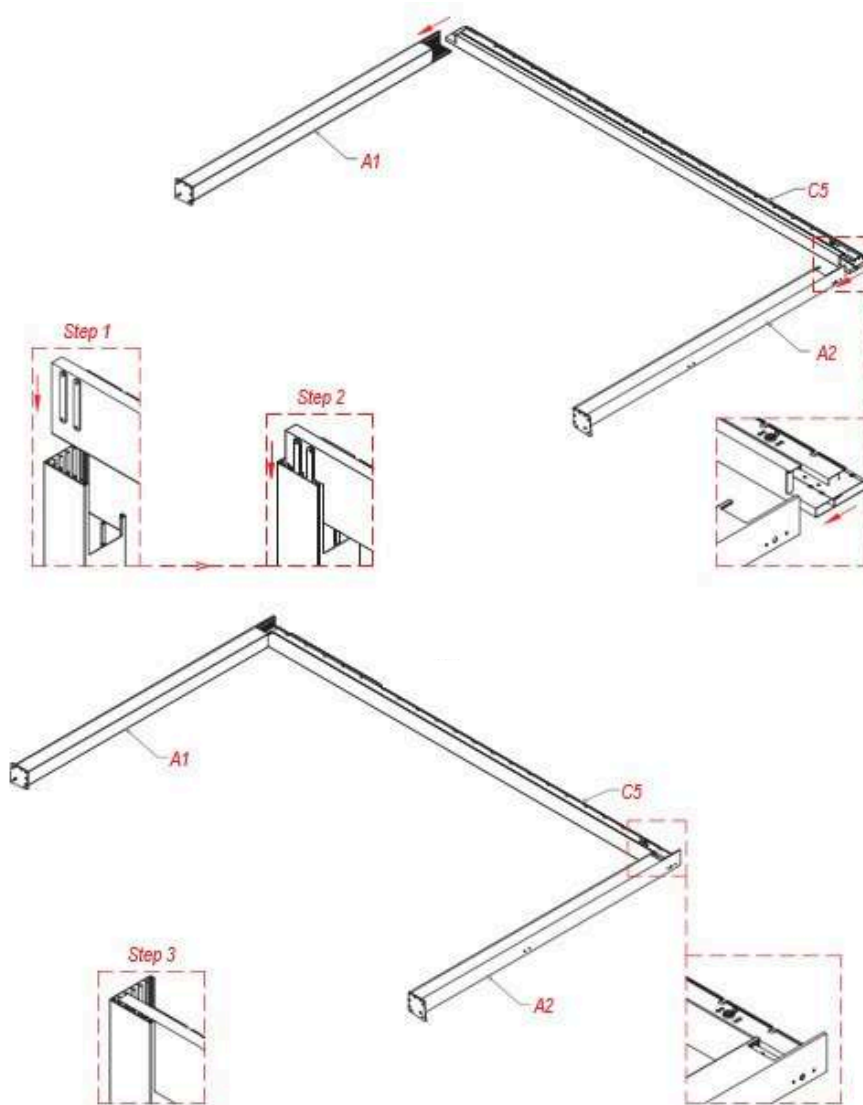
**X1
TIMES**



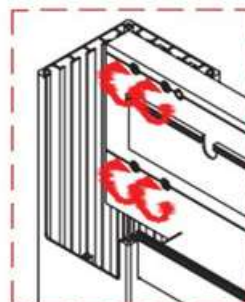


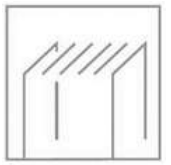
3. Assemble part A1 and A2 to part C1. It should be ensured that the mounting rods are fully inserted into the channels.(Step 3)

Please note: Assembly should be performed on a soft floor or assembly pedestals to avoid any damage to the product.



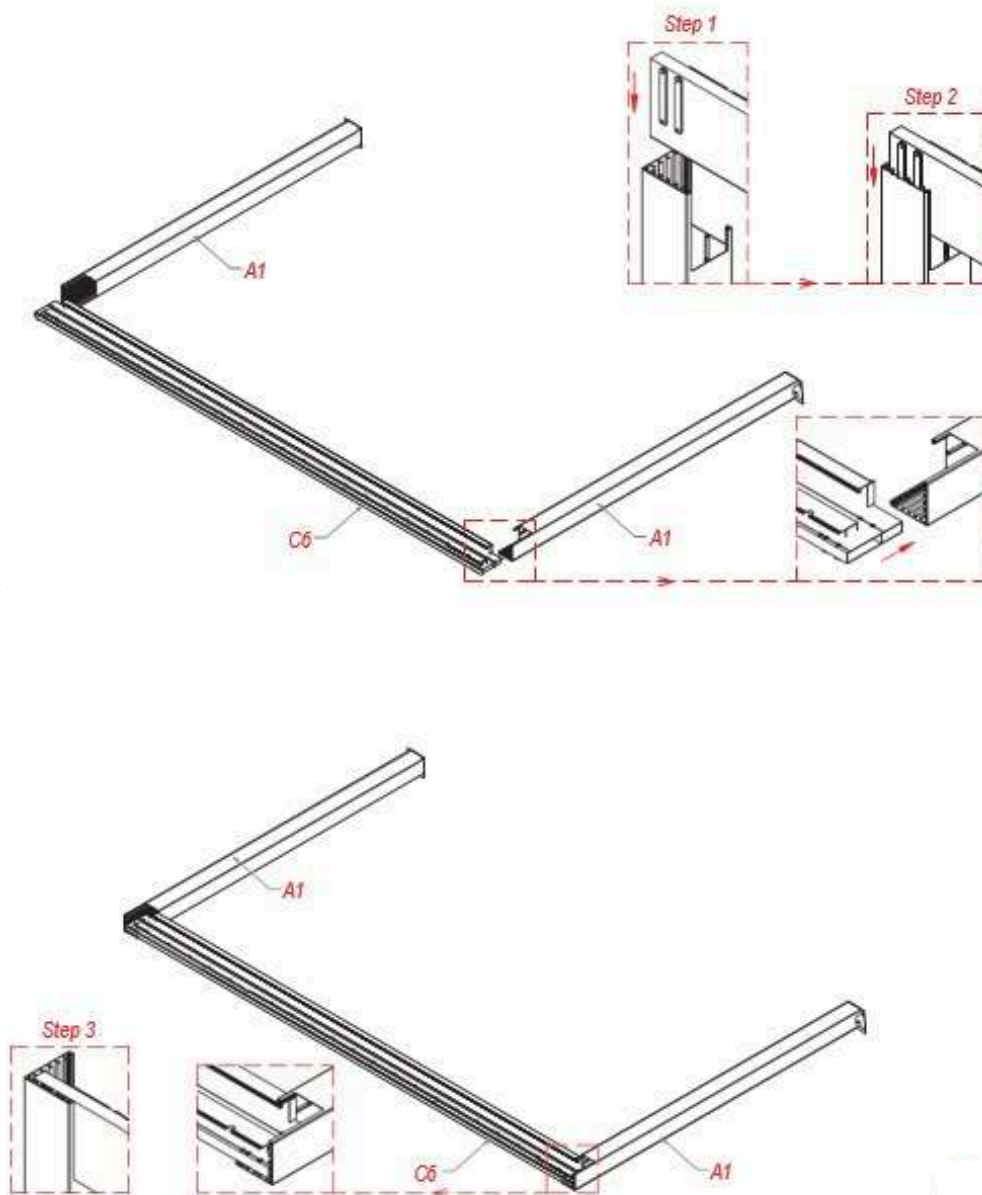
4. Make sure the bolts are fully tightened.



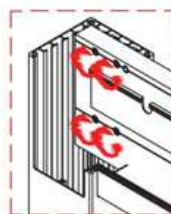


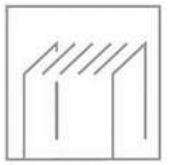
5. Assemble 2x parts A1 to part C2. It should be ensured that the mounting rods are fully inserted into the channels.(Step 3)

Please note: Assembly should be performed on a soft floor or assembly pedestals to avoid any damage to the product.

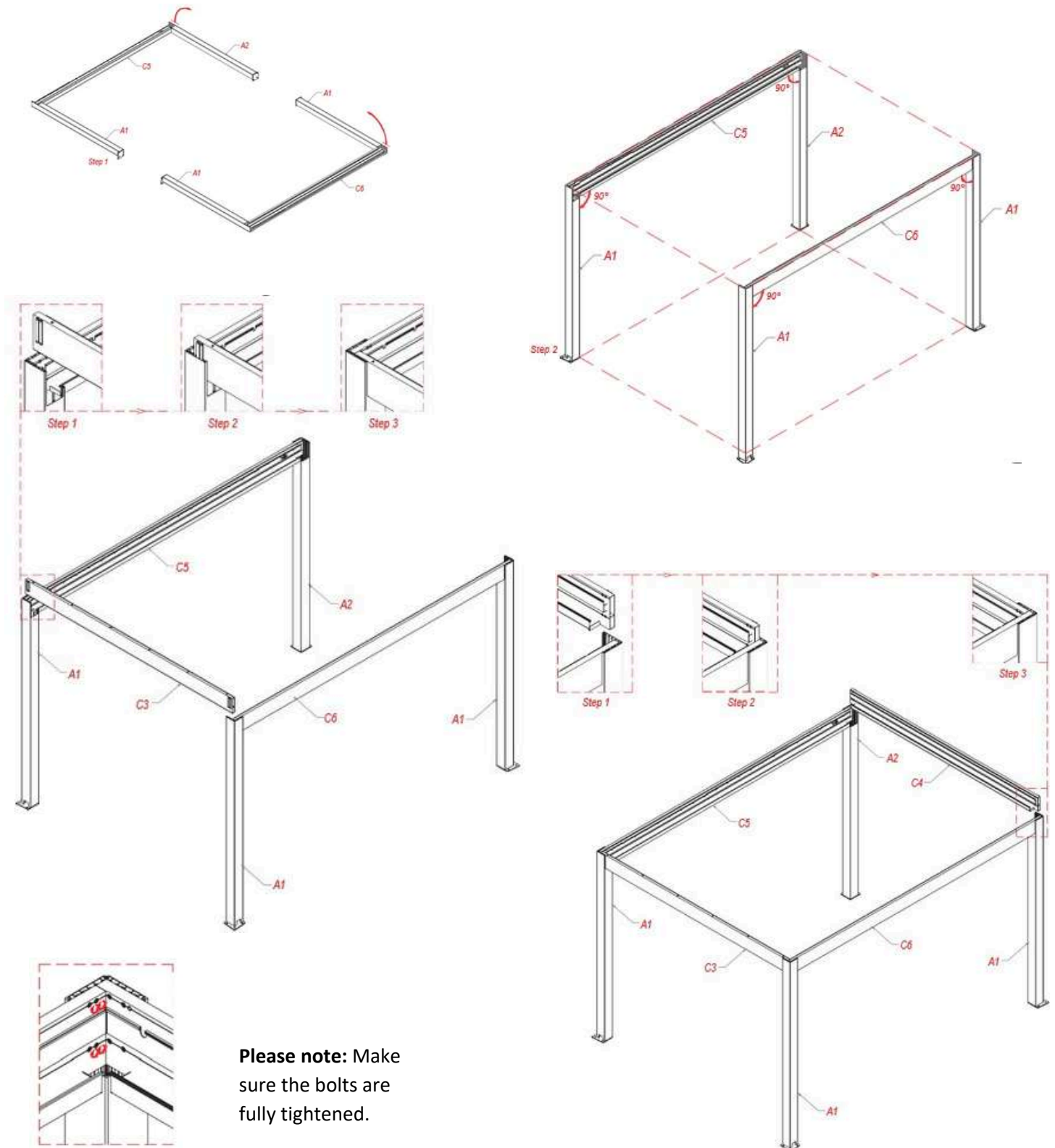


6. Make sure the bolts are fully tightened.

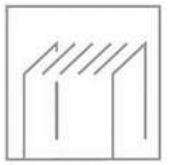




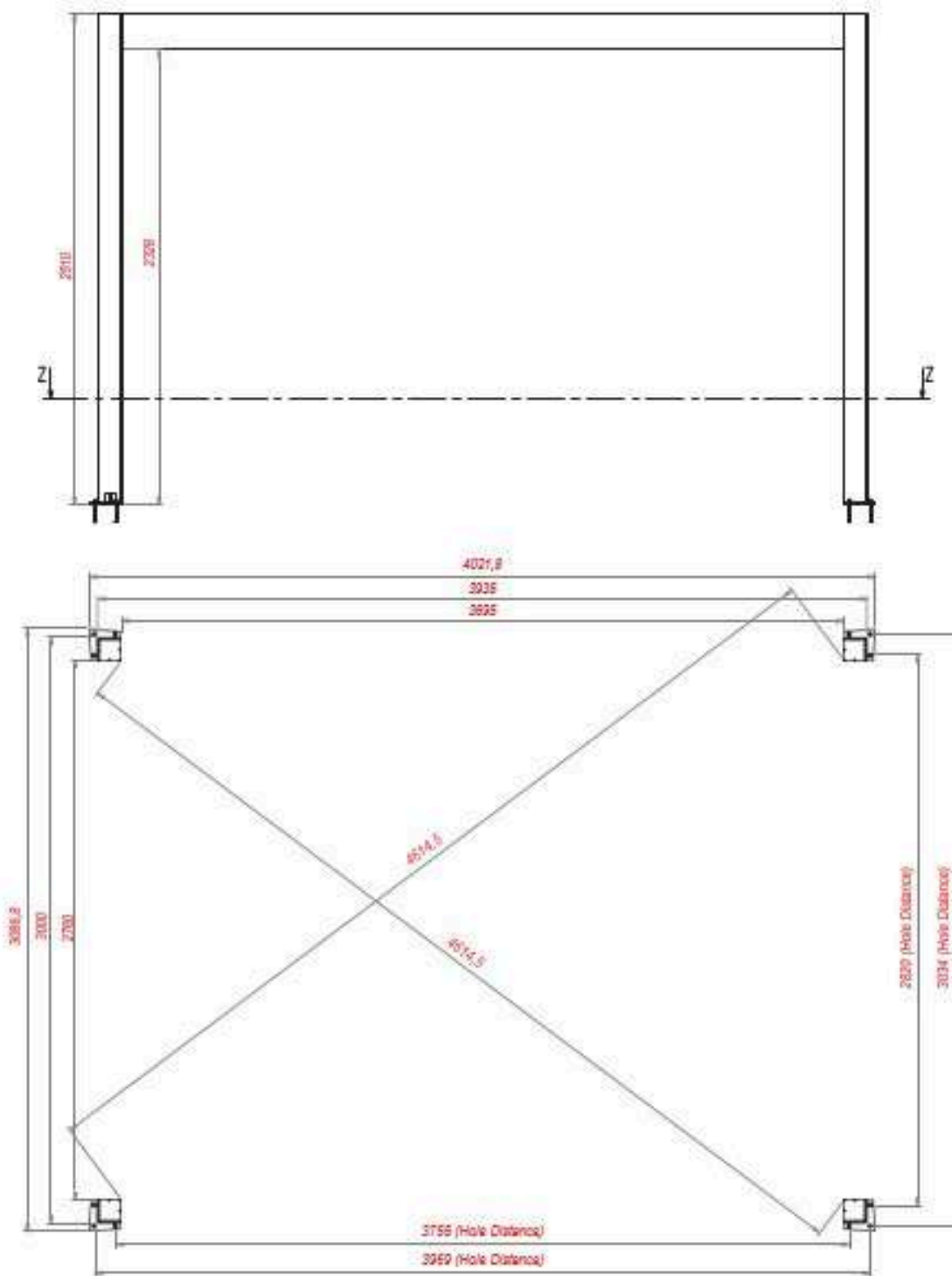
7. Put the pillars and gutter profile to an upright position and connect them with the left and right gutter profile (part C3 and C4). It should be ensured that the mounting rods are fully inserted into the channels.

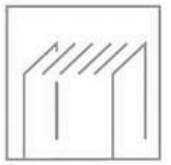


Please note: Make sure the bolts are fully tightened.

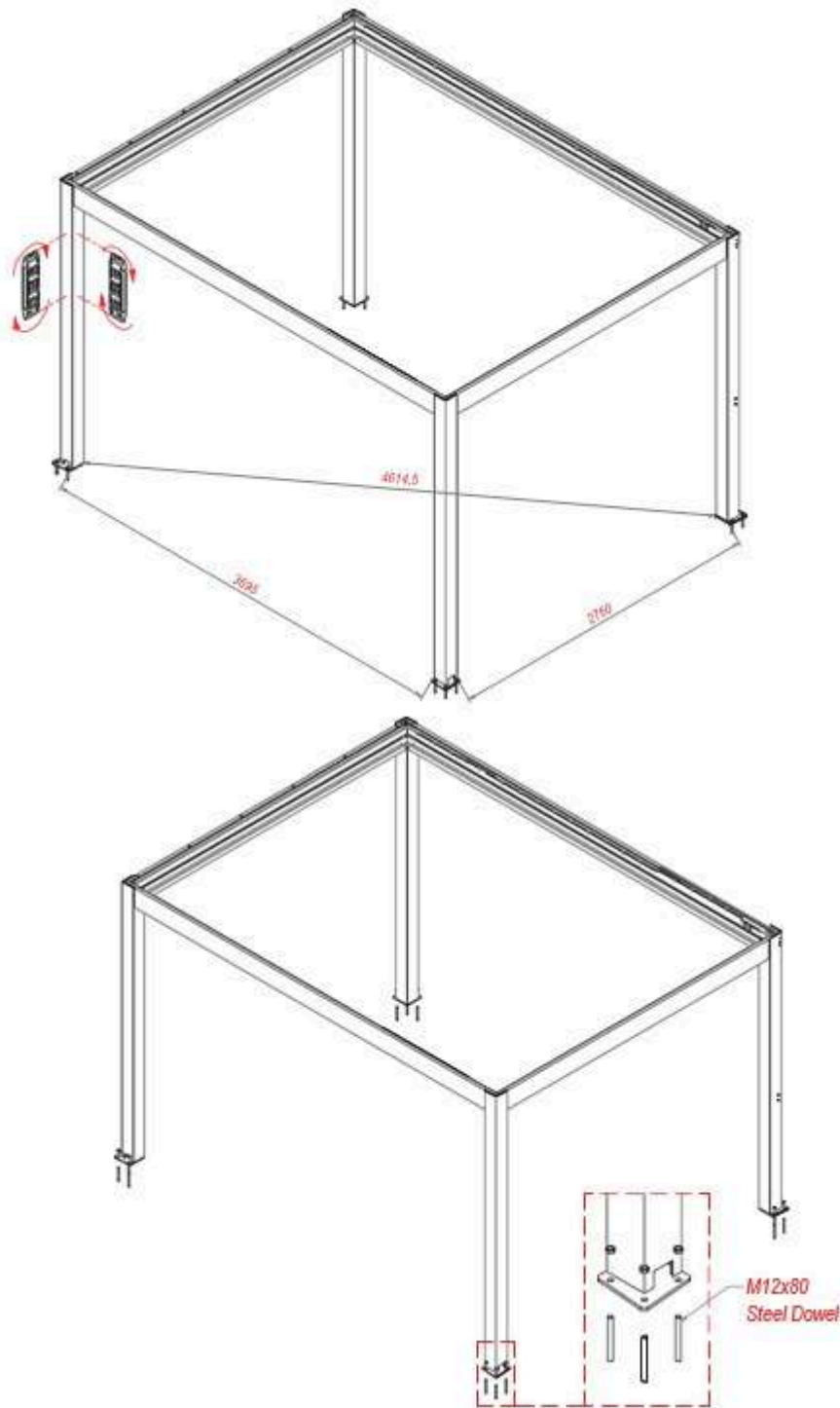


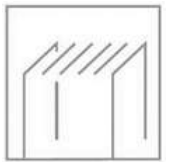
8. Before fixing the product to the floor, it should be ensured that diagonal dimensions are same.



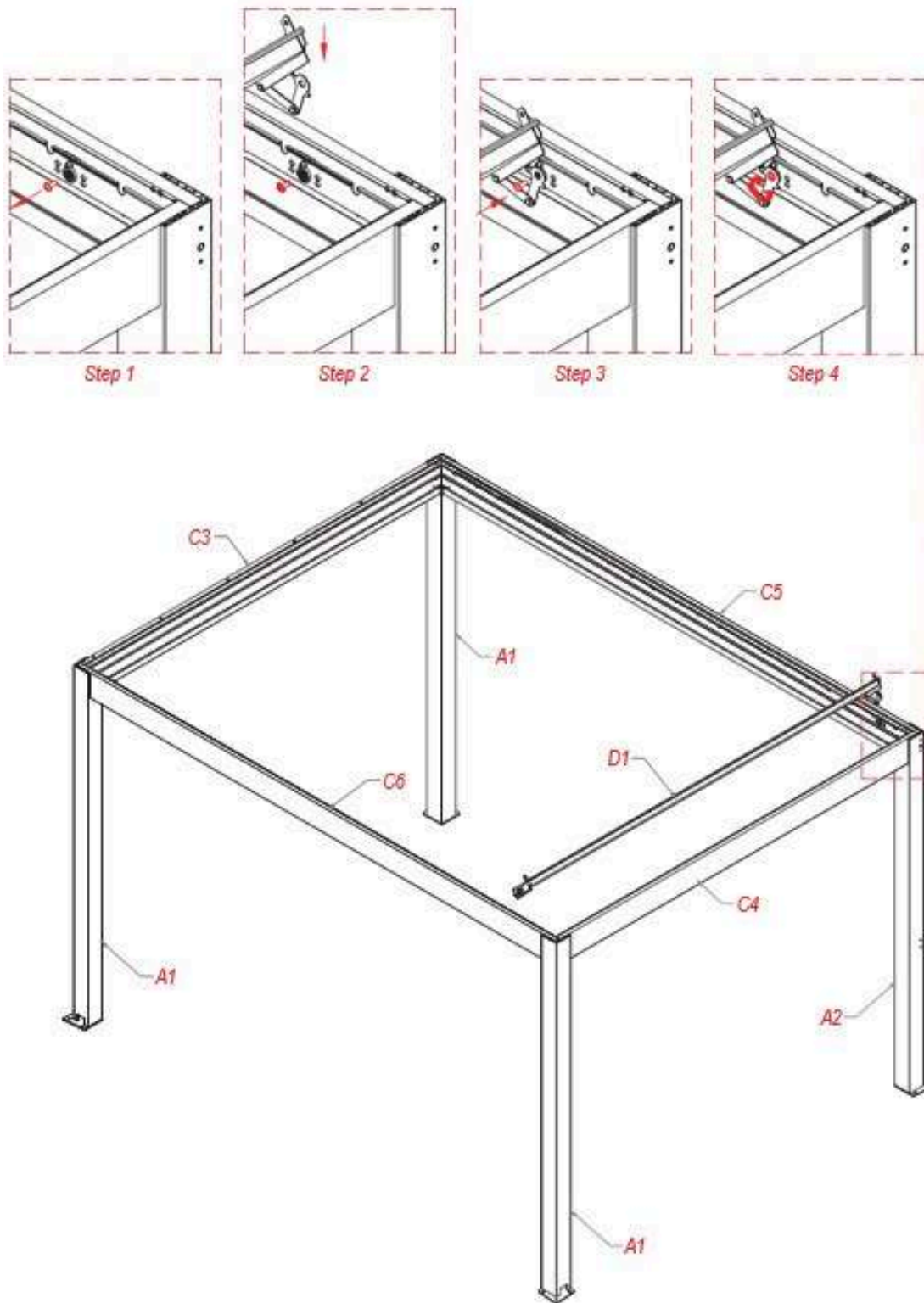


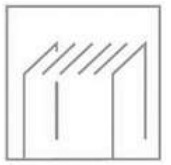
9. Before the Louver panels are placed, the product must be fixed to the floor with suitable mounting equipment. The balance of the product should be checked during assembly. The pillars of the product have to have 90° to the ground. It should be checked with water gage during installation.



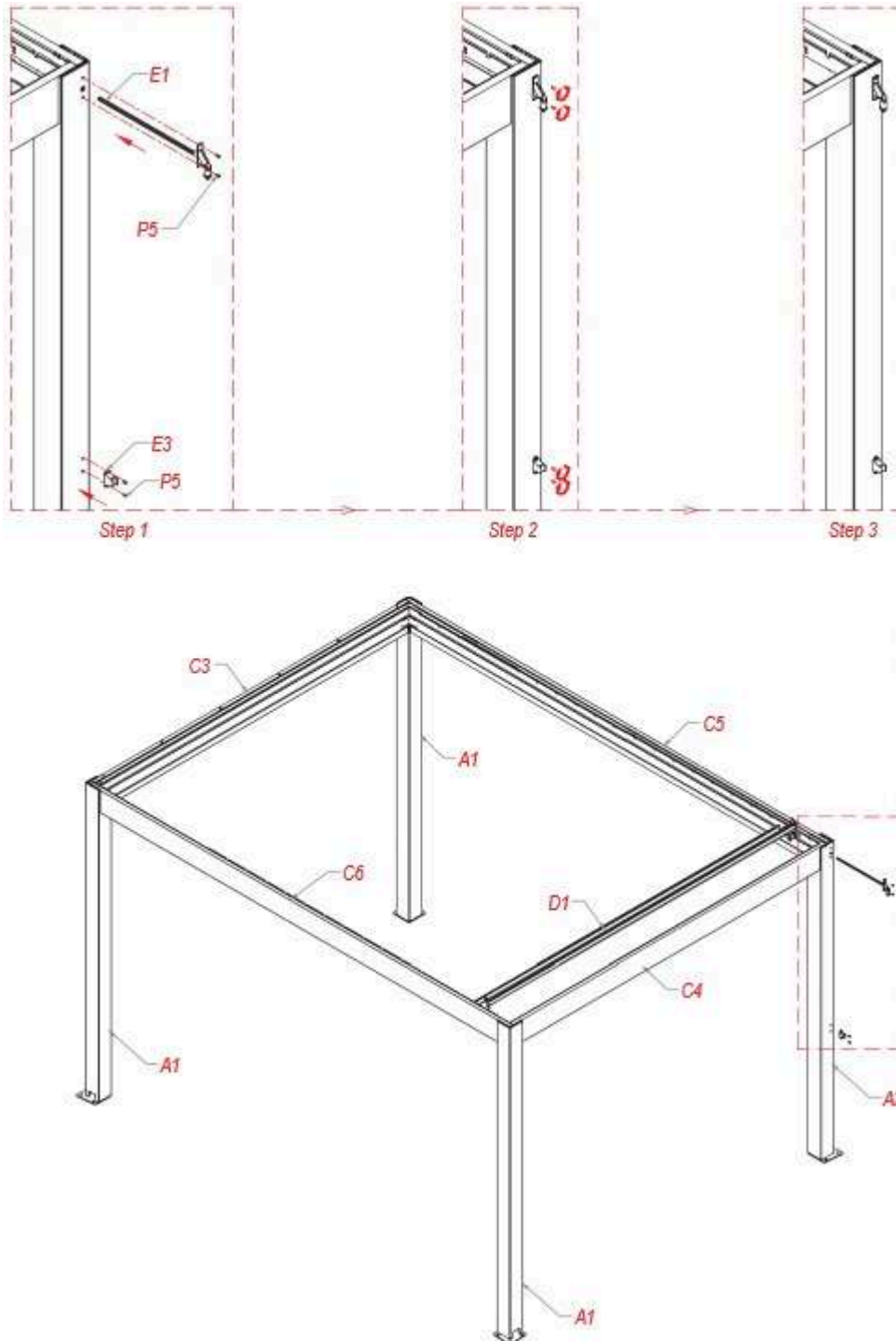


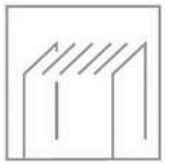
10. Louver installation has to be started with the second louver panel which has joint shaft on it. The existing bolt has to be removed, the mechanism has to be assembled and the bolt has to be tightened again. (See step 3 in image below)



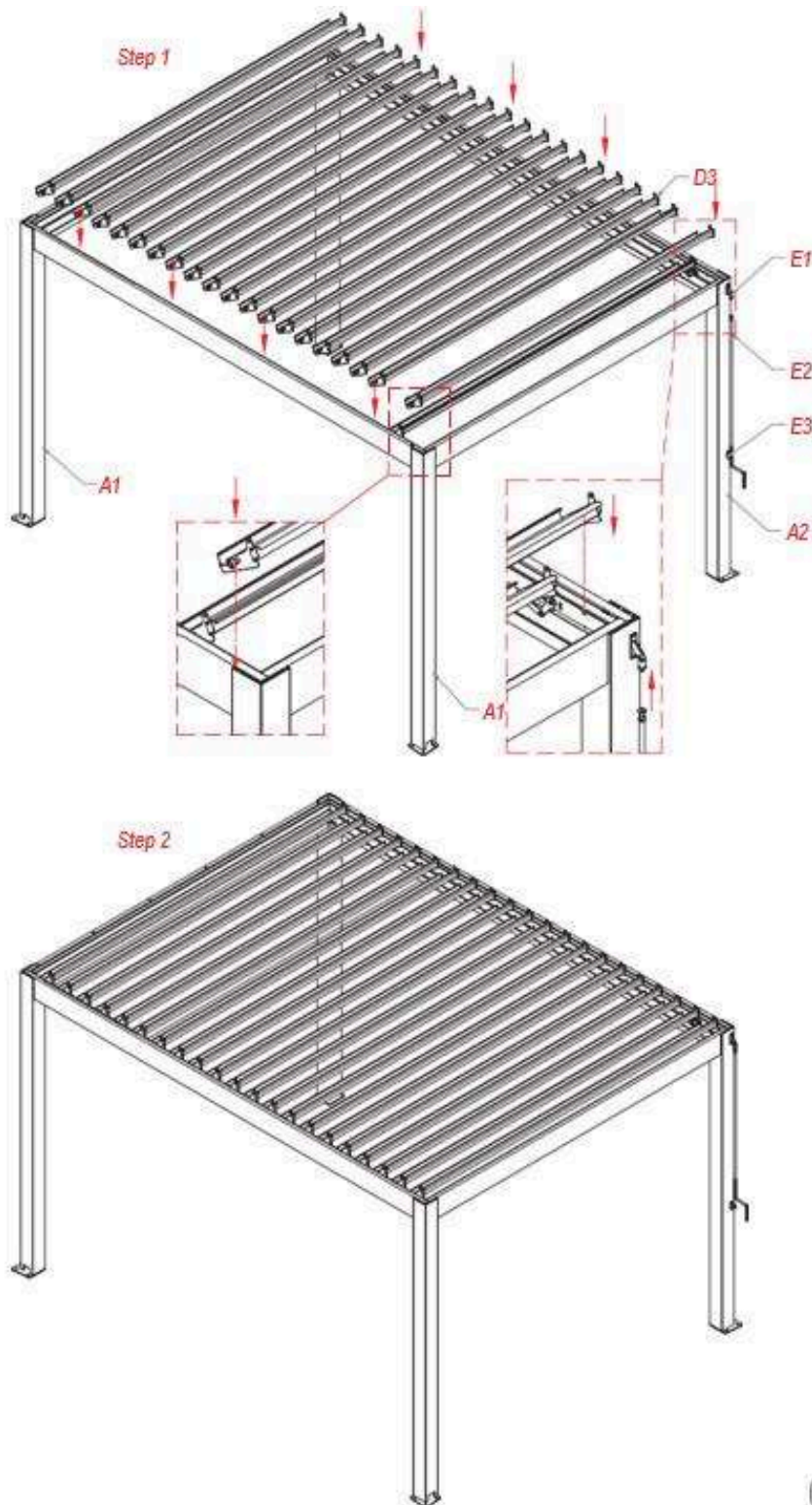


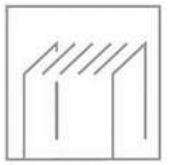
11. The universal drive shaft has to be assembled.



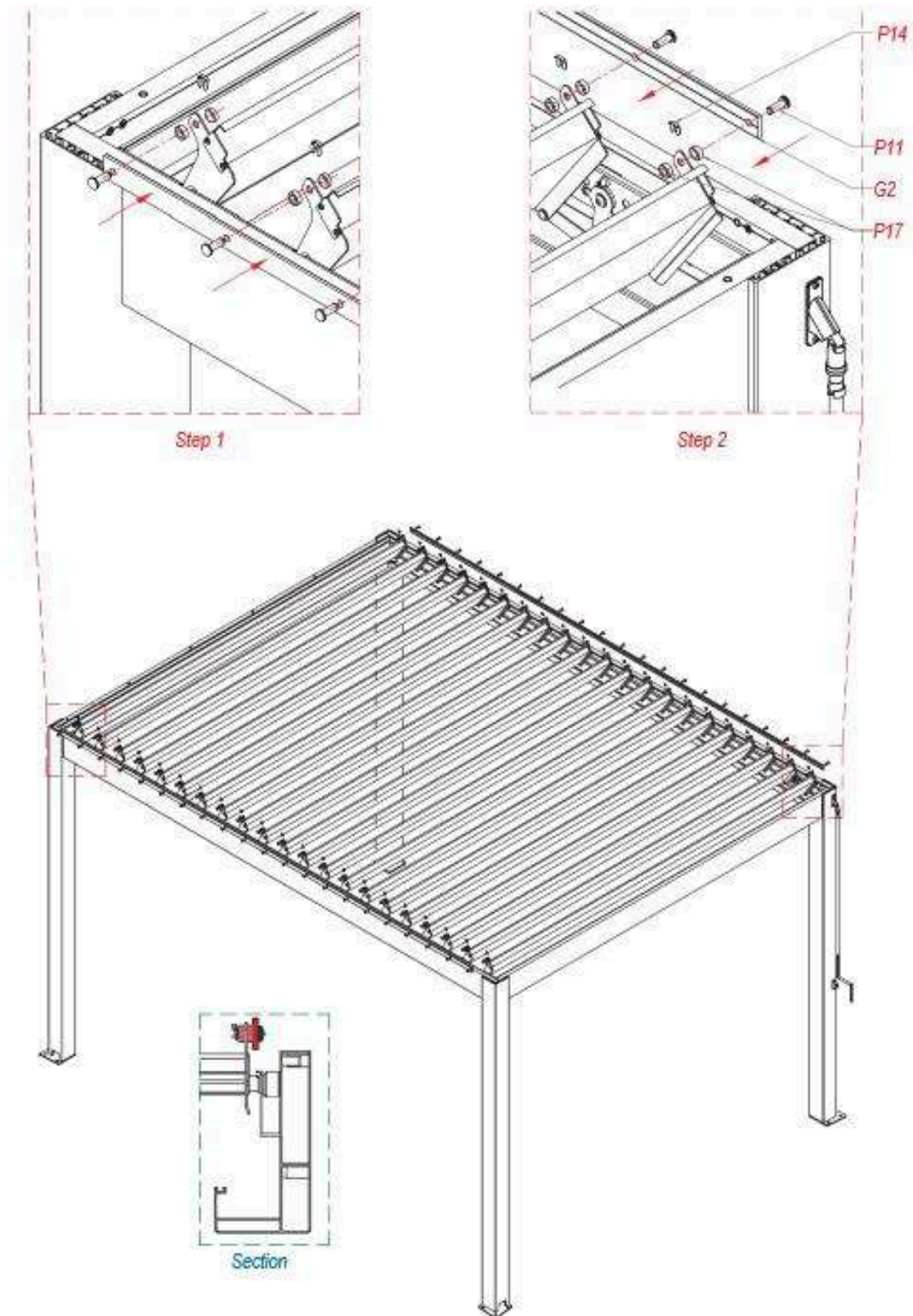


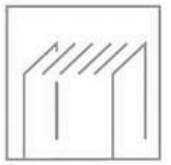
11. The louver has to be placed.



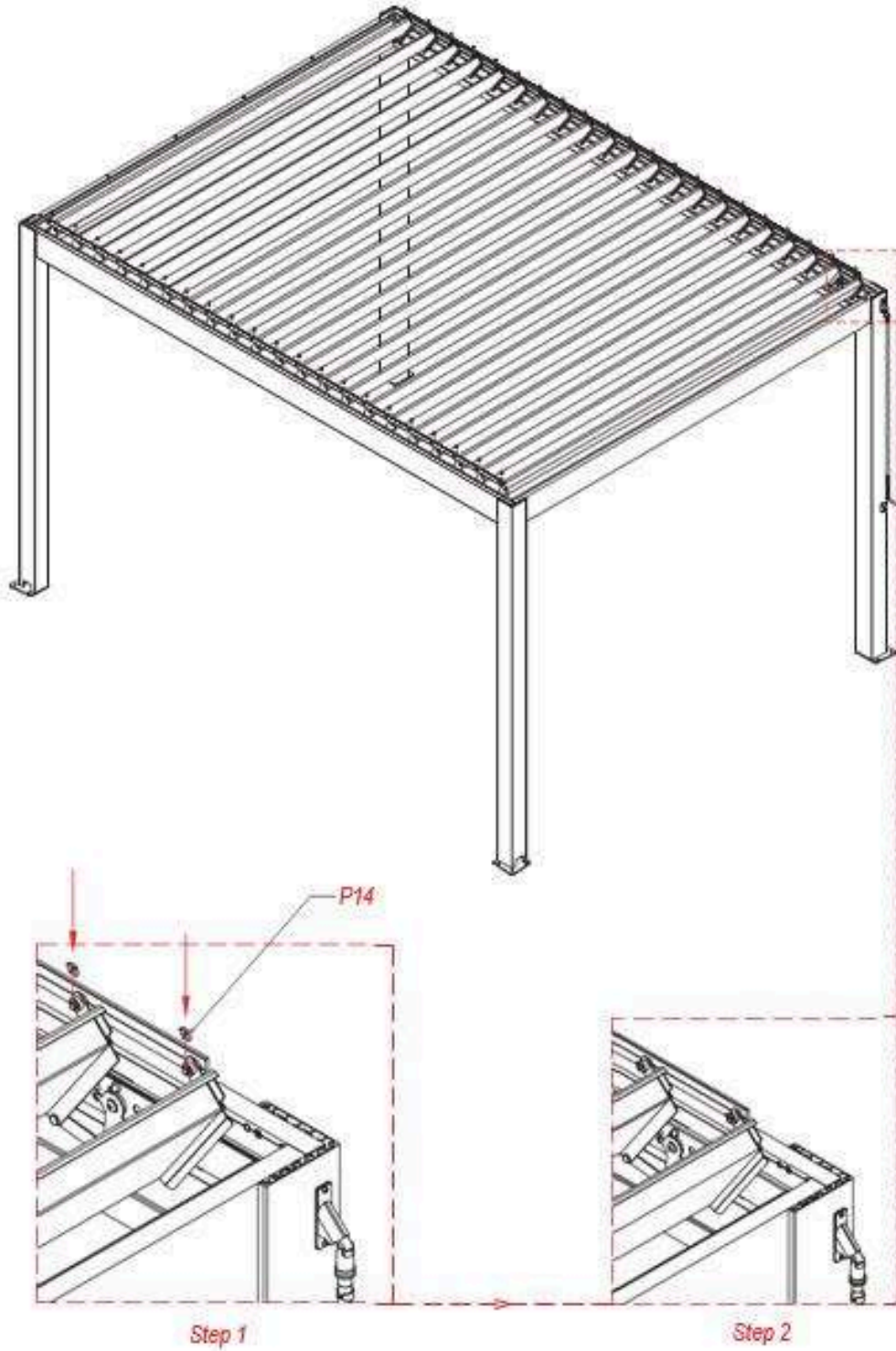


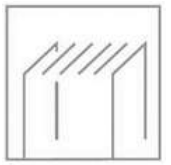
12. The Louver have to be fixed to joint profile as shown on the step 1 and step 2 in the image below.



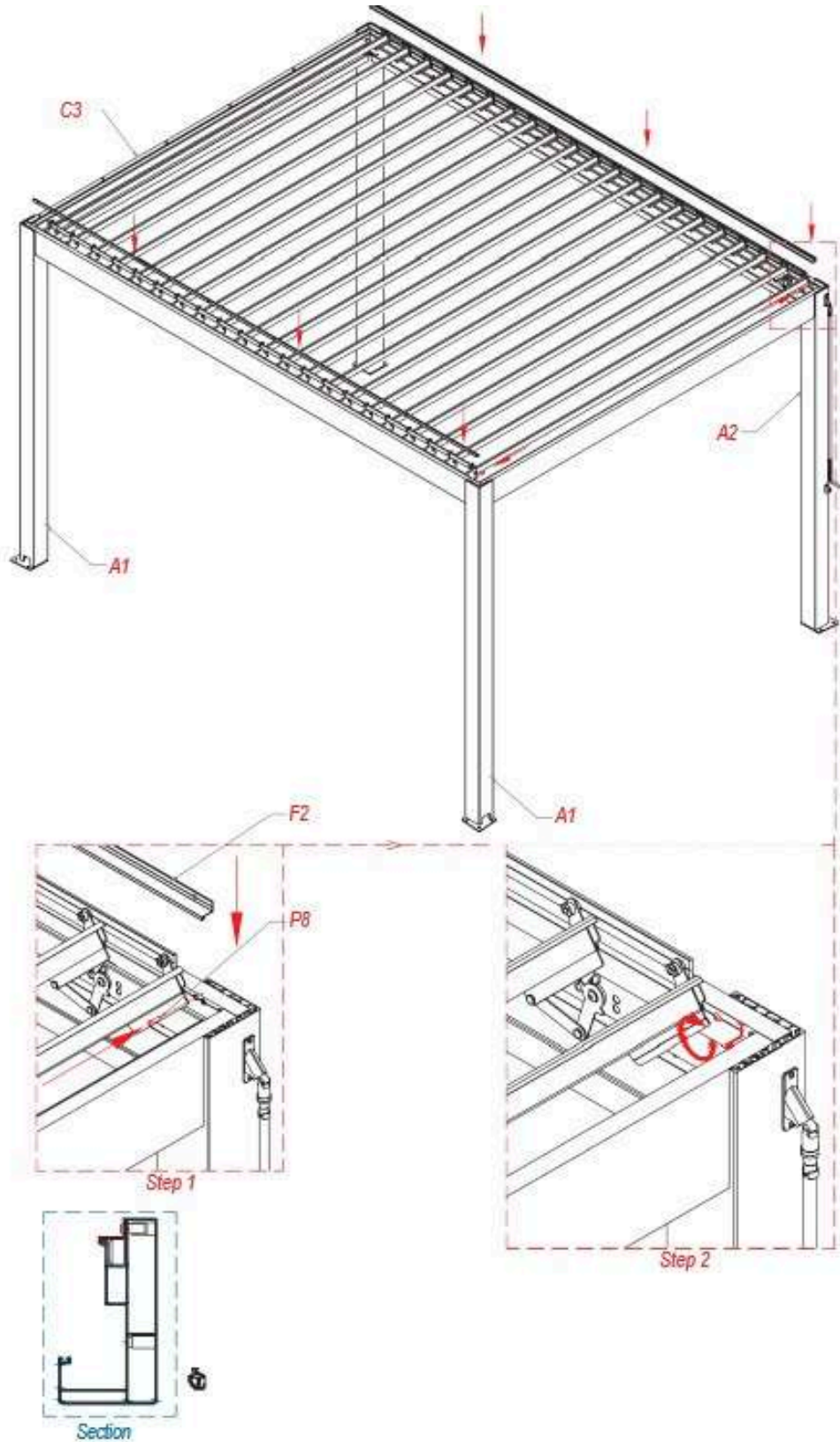


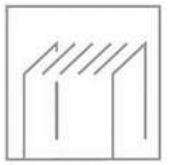
13. It should be ensured that the circlip coded p13 clicked into the channel as shown on step1 and step2 in the image below.



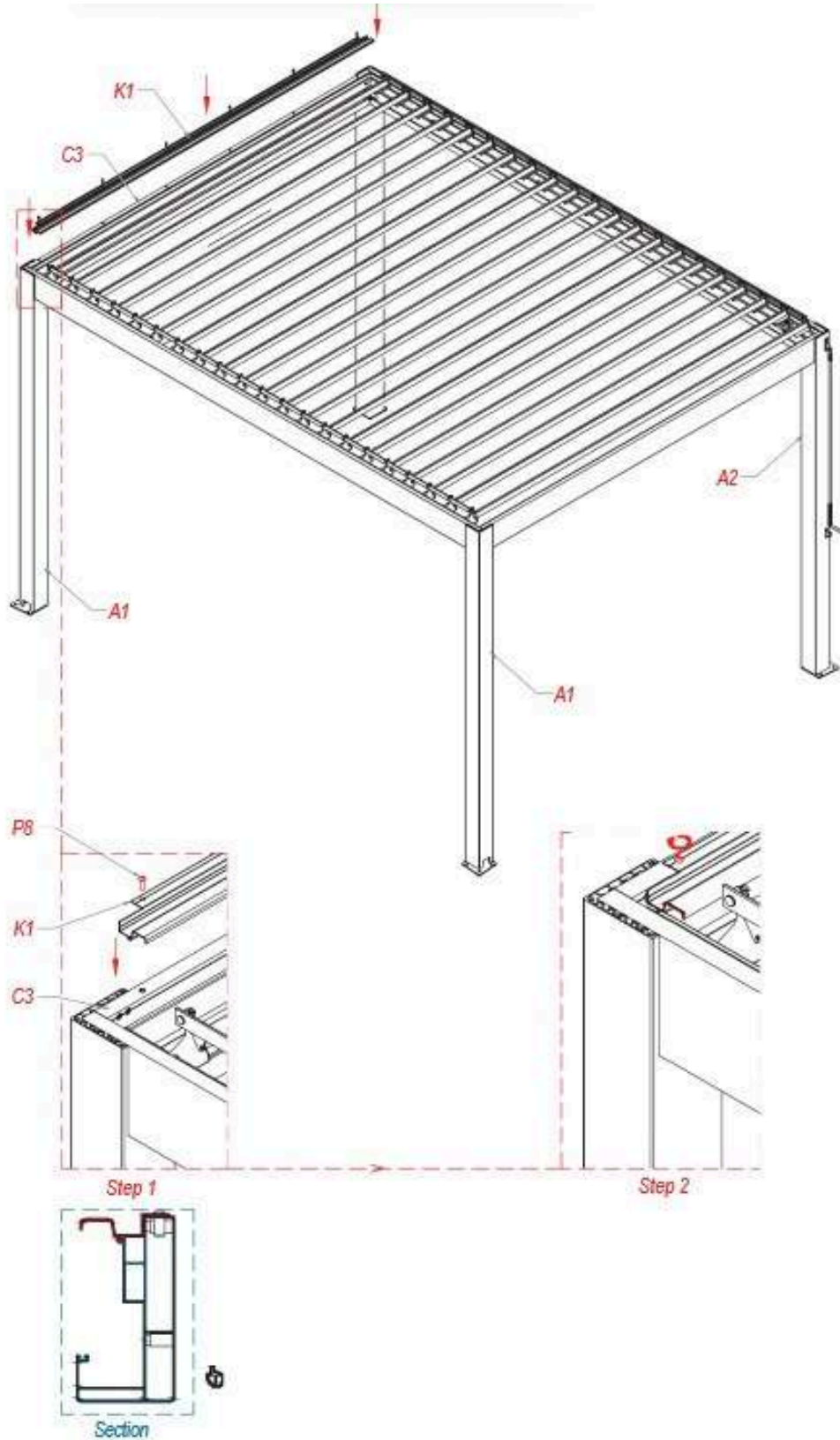


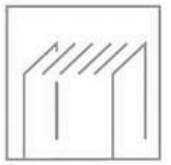
14. It should be ensured that the side closure profile passes into the channel on the gutter.



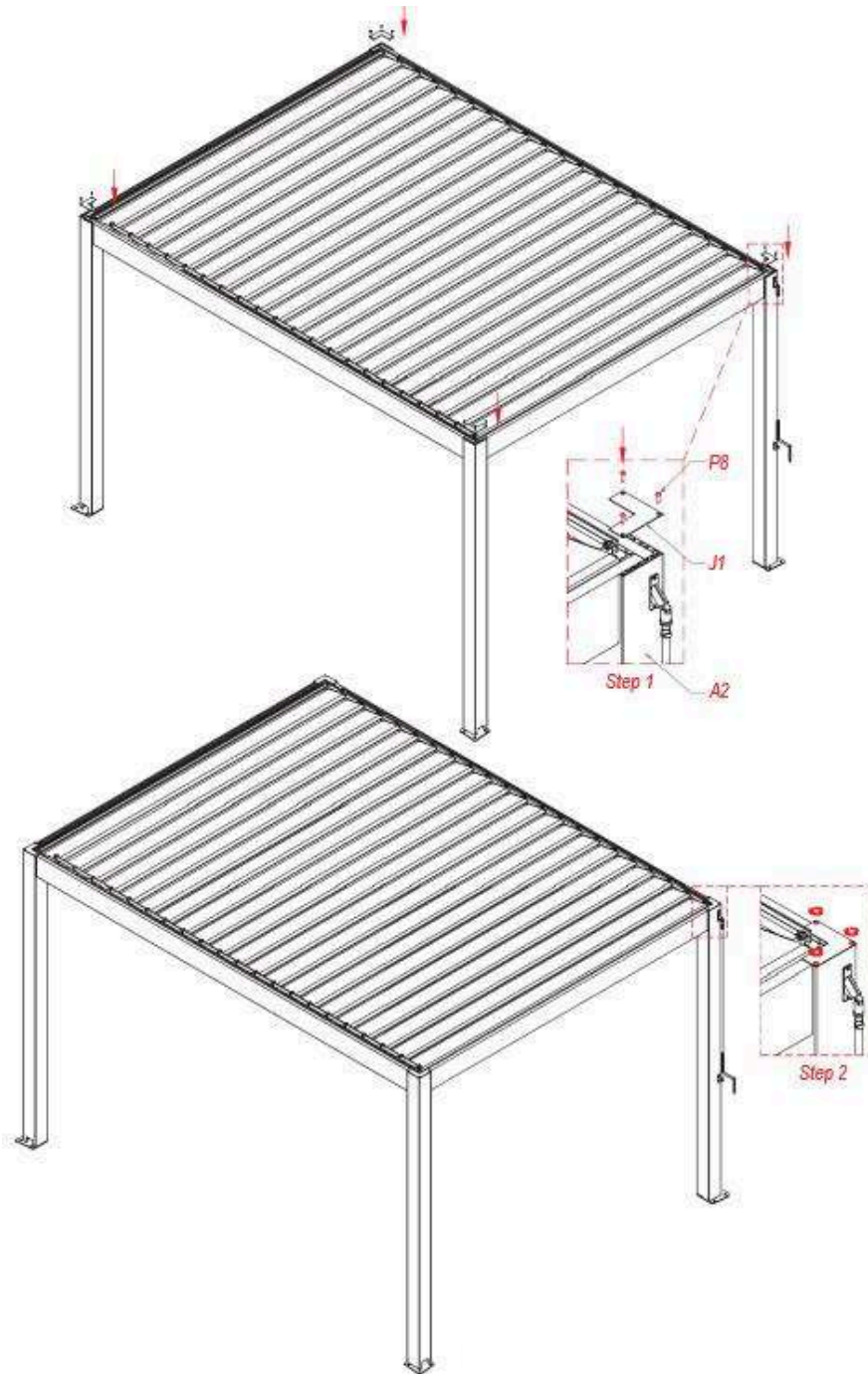


15. It should be ensured that the side closure profile passes into the channel on the gutter.

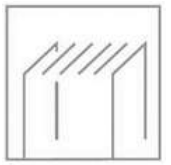




16. Pillar cover has to be fixed.



17. Congratulations! The pergola is now finished!



7. Maintenance

We recommend that you maintain and clean your pergola at least once a year.

Check whether the screw connections are tight. If not, tighten them firmly.

The aluminium profiles that are dirty can be cleaned with lukewarm water and a cleaning product.

- Use a soft brush or sponge.
- Never use abrasives, aggressive solvents or a pressure washer.
- Wet first and rinse off with lots of water, and then wipe with a soft cloth.

8. Disposal of waste

Dispose of the product according to local laws and regulations.

9. Warranty conditions

Warranty in accordance with the warranty conditions and Deponti's general terms and conditions.

These can be found on the website www.deponti.com.

10. Contact

IMPORTANT: Your Deponti partner is your first point of contact for questions and comments.